

TPS 820 Series Microminiature SMT Top Actuated

Features/Benefits

- 3.9 x 2.9 mm footprint
- Three different heights
- High number of cycles
- Reduced footprint

Typical Applications

- Control panels
- Nomad devices
- Remote controls
- Keyless entry system



Tactile Switches

Specifications

FUNCTION: momentary action
 CONTACT ARRANGEMENT: 1 make contact = SPST N.O.
 TERMINALS: J type for SMT
 TRAVEL: 0.2mm + 0.1mm / -0.05 mm

	Operating Force (gf)	Life Cycles	Height mm	Pegs
TPS820 J25M SMTR LFS	160 ± 50	200,000	2.5	No
TPS820 J25K SMTR LFS	250 ± 50	100,000	2.5	No
TPS820 J25MP SMTR LFS	160 ± 50	200,000	2.5	Yes
TPS820 J25KP SMTR LFS	250 ± 50	100,000	2.5	Yes
TPS820 J20M SMTR LFS	160 ± 50	200,000	2.0	No
TPS820 J20K SMTR LFS	250 ± 50	100,000	2.0	No
TPS820 J20MP SMTR LFS	160 ± 50	200,000	2.0	Yes
TPS820 J20KP SMTR LFS	250 ± 50	100,000	2.0	Yes
TPS820 J15M SMTR LFS	160 ± 50	200,000	1.5	No
TPS820 J15K SMTR LFS	250 ± 50	100,000	1.5	No
TPS820 J15MP SMTR LFS	160 ± 50	200,000	1.5	Yes
TPS820 J15KP SMTR LFS	250 ± 50	100,000	1.5	Yes

Electrical

MAXIMUM VOLTAGE: 12 VDC
 MAXIMUM CURRENT DC: 50 mA
 DIELECTRIC STRENGTH: 100 VA C (1mn)
 CONTACT RESISTANCE: ≤ 100 mΩ
 INSULATION RESISTANCE: ≥ 100 MΩ
 BOUNCE TIME: ≤ 10 ms

Environmental

OPERATING TEMPERATURE: -40°C to 85°C

Process

SOLDERING: This component is suited to the following methods:
 Infrared Reflow Soldering in accordance with IEC61760-1

NOTE: Specifications listed above are for switches with standard options.
 For information on specific and custom switches, consult Customer Service Center.

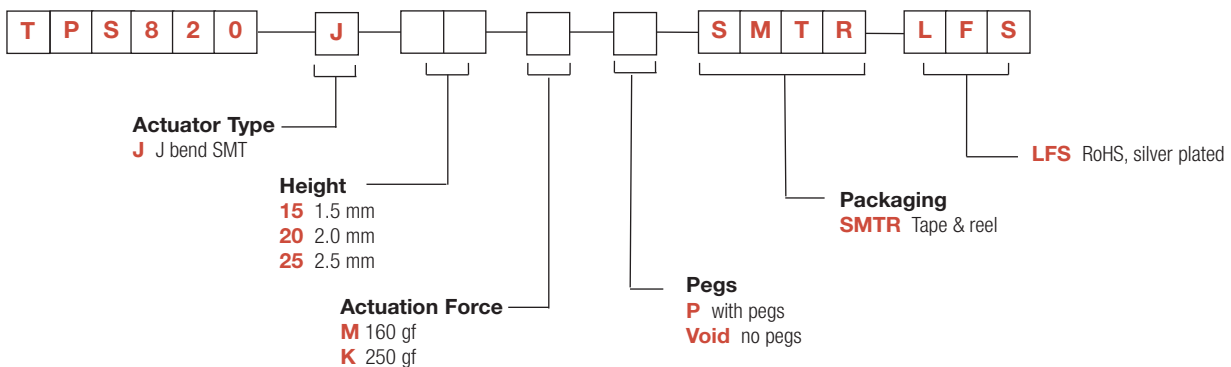
Packaging

Switches in reels of 2,500 pieces for 1.5 and 2.0 mm height
 Switches in reels of 2,300 pieces for 2.5 mm height
 Dimensions of reels according to EIA 481B
 External diameter 330 mm

How To Order

Our easy build-a-switch concept allows you to mix and match options to create the switch you need. To order, select desired option from each category and place it in the appropriate box.

For any part number different from those listed above, please consult your local representative.



Dimensions are shown: mm
 Specifications and dimensions subject to change

WWW.ROCPCU.COM

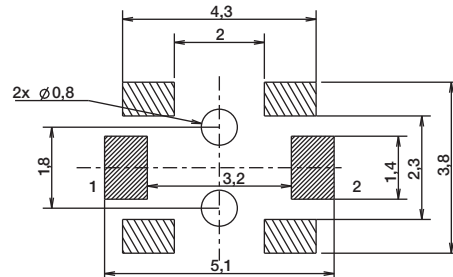
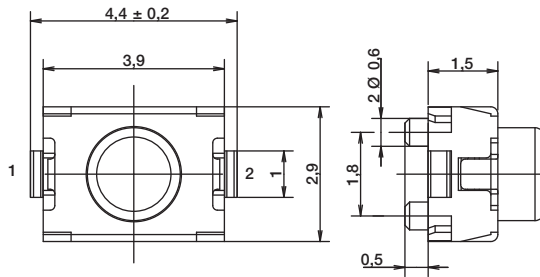
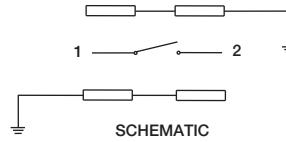
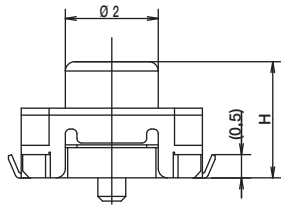
TPS 820 Series Microminiature SMT Top Actuated

2.5 & 2.0 mm height (H) - version shown here with pegs

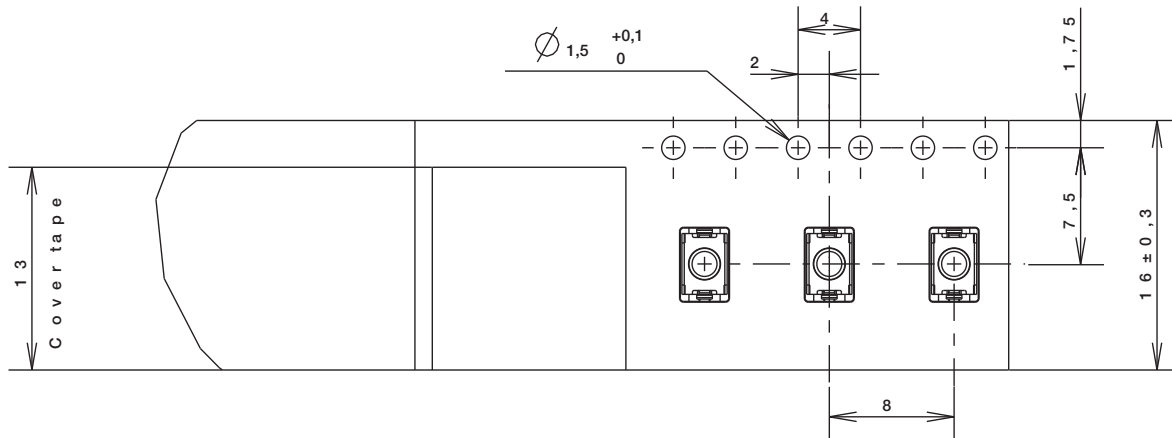
Tactile Switches



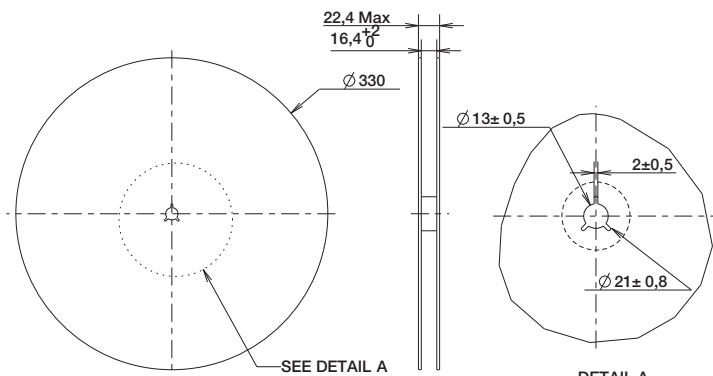
B



RECOMMENDED PCB LAYOUT



CARRIER TAPE



REEL

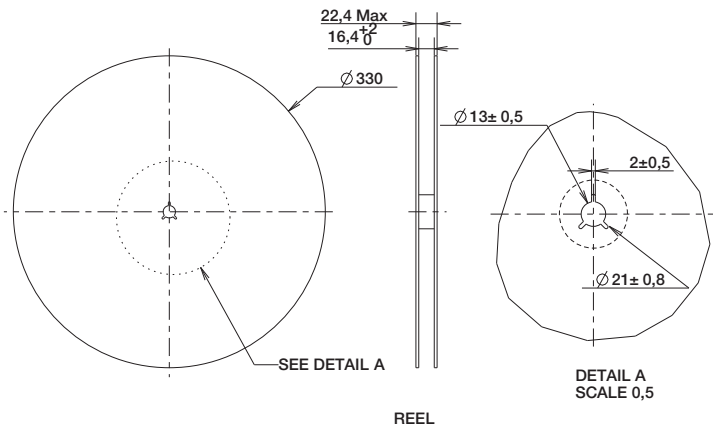
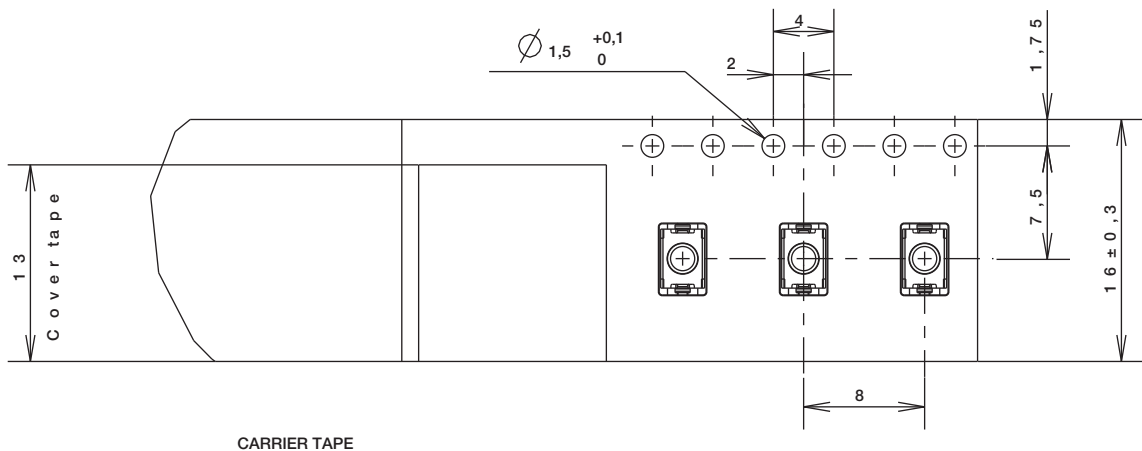
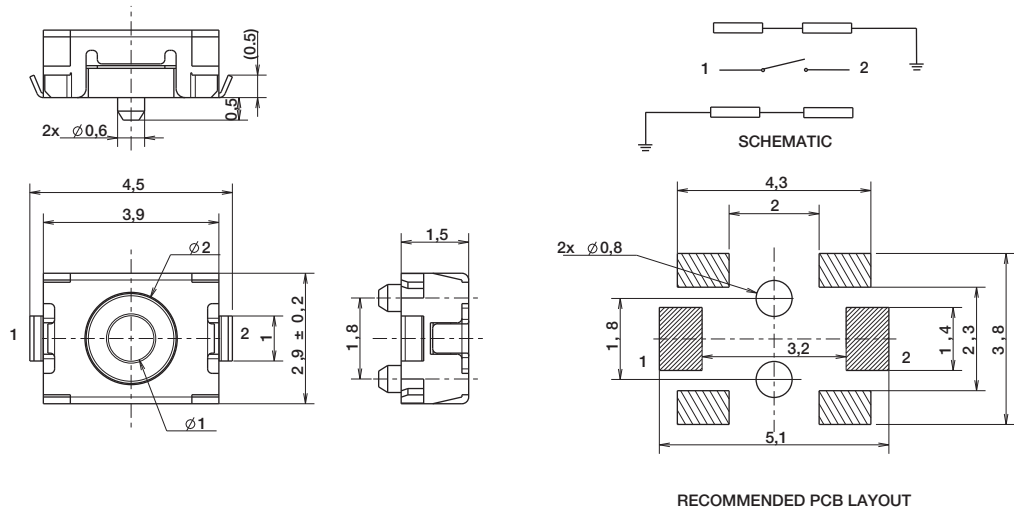


Dimensions are shown: mm
Specifications and dimensions subject to change

WWW.ROCPU.COM

TPS 820 Series Microminiature SMT Top Actuated

1.5 mm height (H) - version shown here with pegs



B
Tactile Switches



Dimensions are shown: mm
Specifications and dimensions subject to change

WWW.ROCPCU.COM